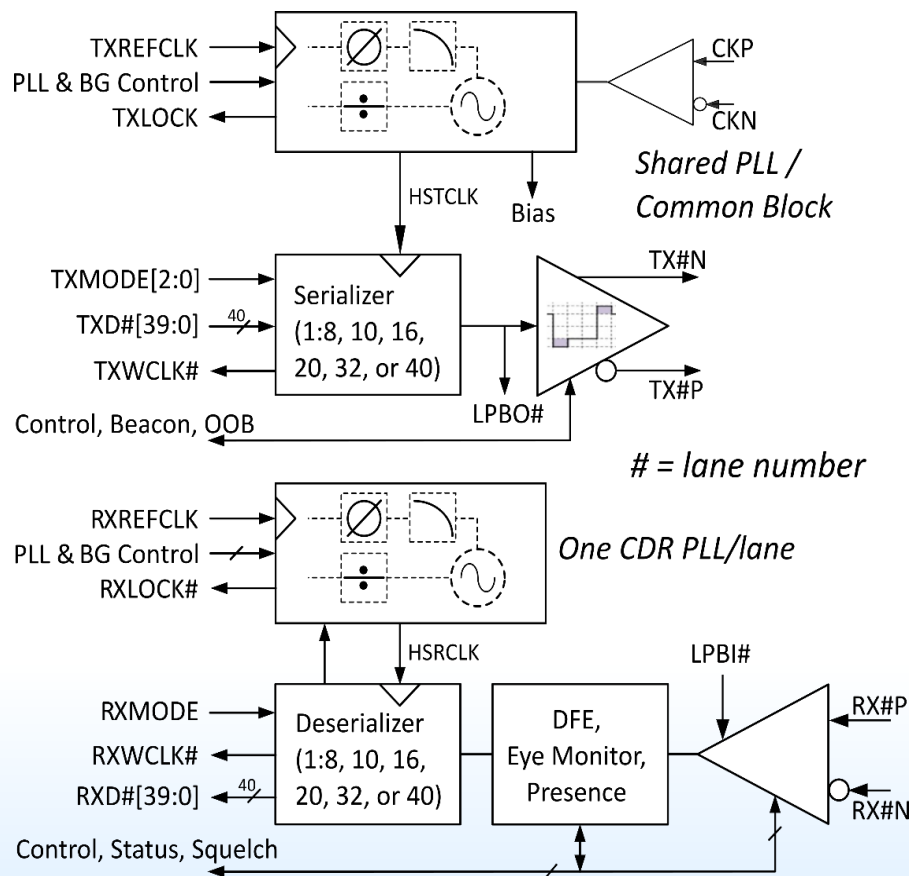


Overview

Silicon Creations has a range of Serializer-Deserializer IP built upon proven ring PLLs and high-speed line drivers and receivers. Our PMA architecture is in production in over 25 SerDes, from 180nm to 12nm and at speeds up to 25Gbps, available in GF12LP+ to 32.75Gbps and shortly in 6nm. Our Multiprotocol PMA utilizes our proven PLL ring core making it very low power, widely programmable and compact.



Features

- Supports over 30 protocols including PCIe, Ethernet 10G-X/S/K/R, DisplayPort, JESD204A/B/C, XAUI, SGMII, CEI 6G/11G SR/MR/LR, V-by-One, PON, OTN/OTU, 3GSDI, SATA1-3
- 10/25GbE variant with 13UI in-PMA latency
- Robust ring-PLL based architecture
 - Low area – less than 1.3mm² for 4 Tx + 4 Rx
 - Low power – to below 3.5pJ/bit
 - Extremely wide range: >100:1 from 125Mbps to 16Gbps in TSMC 16 FFC
 - Extremely low jitter – measured <0.3ps RMS
- Tx PLL includes fractional multiplication, spread spectrum and Jitter Cleaner function for Sync-E and OTU
- Core-voltage line driver with programmable pre- and post-emphasis
- Out-of-band, electrical idle signaling capability for SAS, SATA, and PCIe
- Programmable CTLE and adaptive 5 / 14 - Tap Decision Feedback Equalizer for poor channels
- Eye monitor to measure eye opening at data slicer on chip

Multiprotocol PMA

Availability

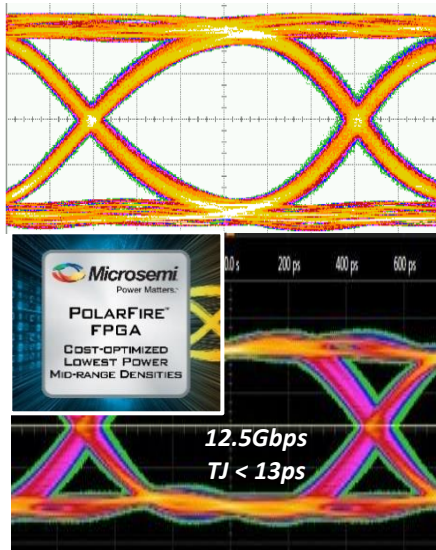
Production UMC 28HLP; Silicon Proven TSMC 12FFC/16FFC, 40LP, 40G and GF 40LP; 32.75Gbps GF12LP+ ready; TSMC 6FF in development

Deliverables

- GDSII
- CDL Netlist
- Rich Verilog Model with Jitter and loop dynamics
- Verilog testbench incorporating BIST
- Liberty timing models (.lib)
- IBIS AMI models
- LEF layout abstract
- RTL wrapper for interface to controller including adaptive DFE; Optional PIPE PCS
- Comprehensive Application Note
- Industry leading support by IP designers
- Support for package design, Signal Integrity modeling and production test development

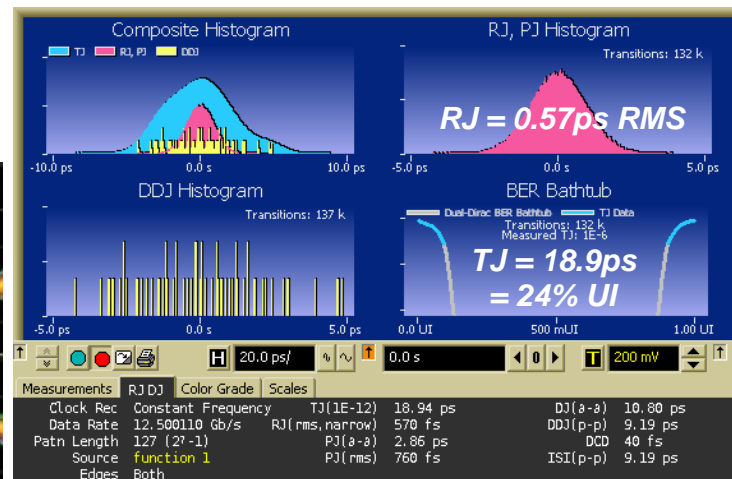
Predictable and excellent performance

TS12FFC
16Gbps Eye
<0.8% UI GJ



Tx Eye diagram at 12.5Gbps (Microchip MP FPGA)

Tx Jitter decomposition at 12.5Gbps with 100MHz reference.



About Silicon Creations

Silicon Creations is focused on providing world class silicon IP for precision and general purpose timing (PLLs), Chip-chip SerDes and high-speed differential IOs.

Our IP is in production from 5n to 180n and proven in 3n. Our complete commitment to our customer success and our support will delight you. Our IP has an excellent record of first silicon to mass production in customers' designs. Our key designs have been comprehensively verified in our labs as well as in mass production with multiple customers.

Silicon Creations was founded in 2006, is self-funded, growing and ISO9001 certified. We have development centers in Atlanta, USA and Krakow, Poland and world-wide sales representation.

Contact us

- Website: www.siliconcr.com
- Phone/fax: +1-678-259-9301
- Email: sales@siliconcr.com



Related Information

www.siliconcr.com

→ Products

→ SerDes Interfaces

